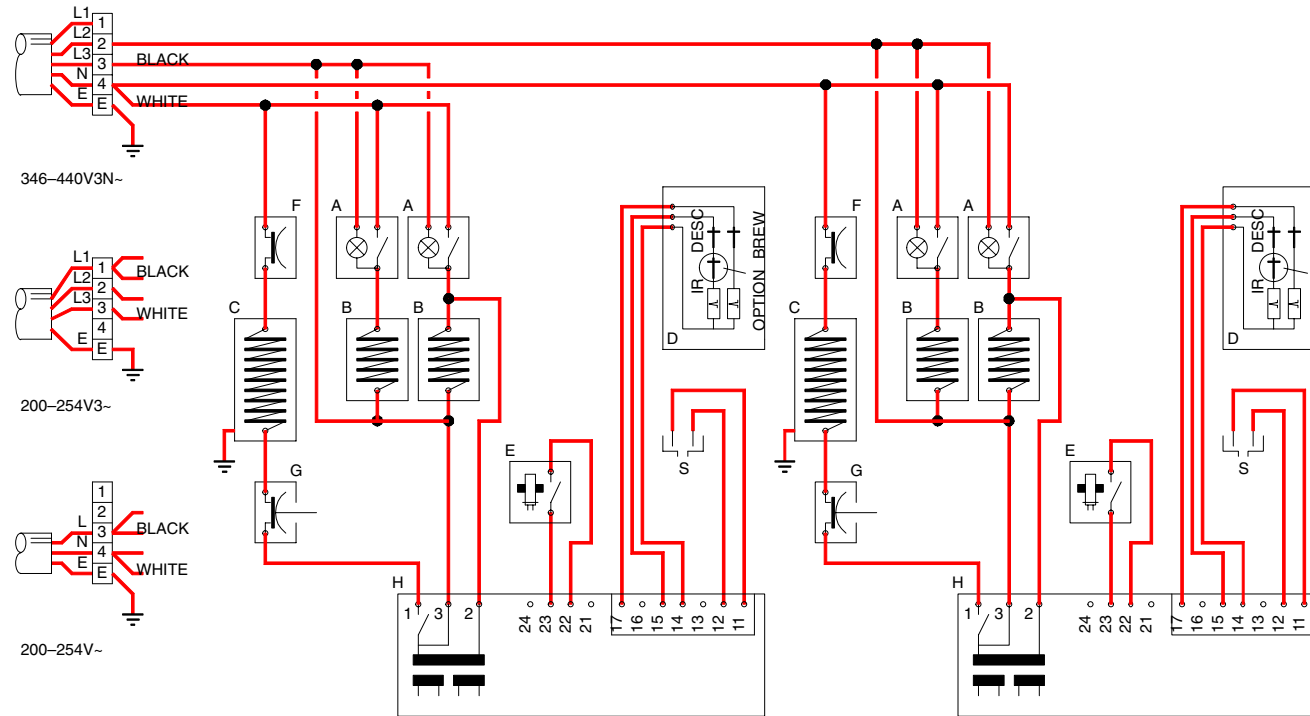


MONDO TWIN (AFTER 1996)



700.406.419B

- A. Switch
- B. PTC element
- C. Flow boiler
- D. Keyboard
- E. Level switch
- F. Thermostat
- G. High temperature safety
- H. Print
- S. Water spreader